



**Công ty TNHH Häfele Việt Nam**  
Lầu 3, Ree Tower, 9 Đoàn Văn Bơ,  
Phường 12, Quận 4, TP. Hồ Chí Minh  
Tel: +84 8 39 113 113 - Fax: +84 8 39 113 114  
[www.hafele.com.vn](http://www.hafele.com.vn)

## INSTRUCTION ON MOUNTING AND USE

<b>Model</b>	<b>Hafele article number</b>
<b>HH-IS90A</b>	<b>539.81.715</b>

**Häfele Design Center**  
46A Nguyễn Văn Trỗi  
Quận Phú Nhuận  
TP. Hồ Chí Minh  
Tel: +84 8 399 77 300  
Fax: +84 8 399 77 301  
Email: [info@hafele.com.vn](mailto:info@hafele.com.vn)

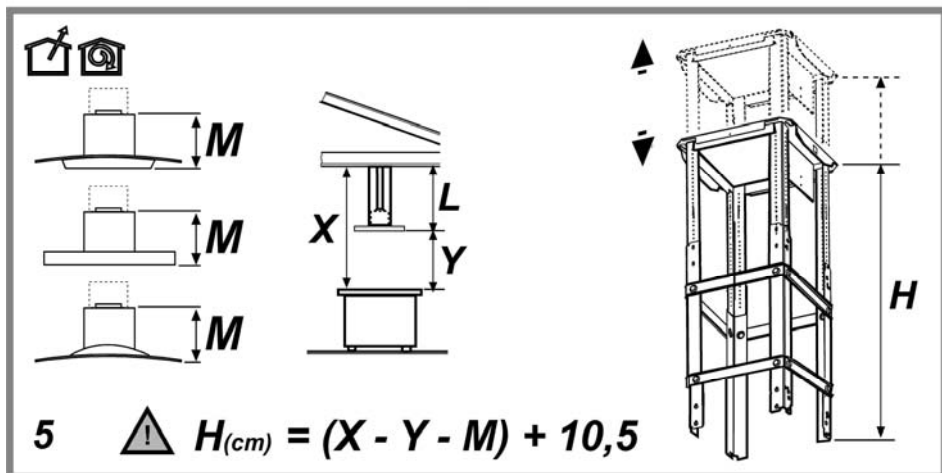
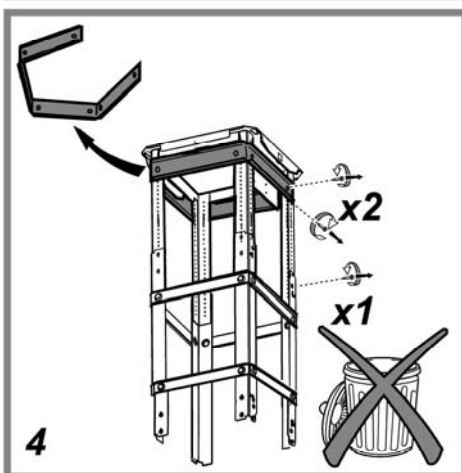
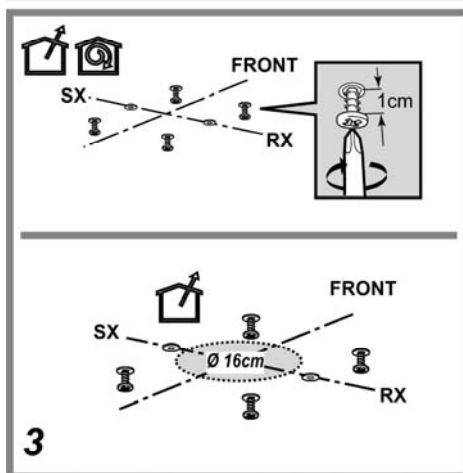
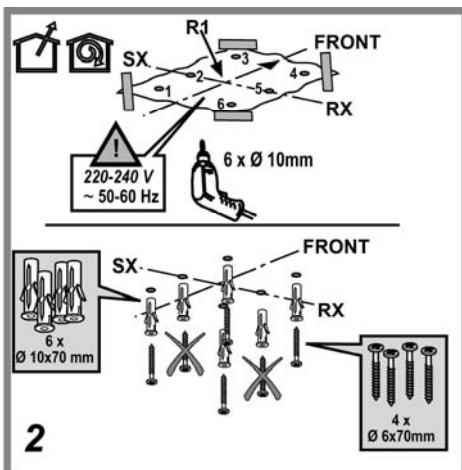
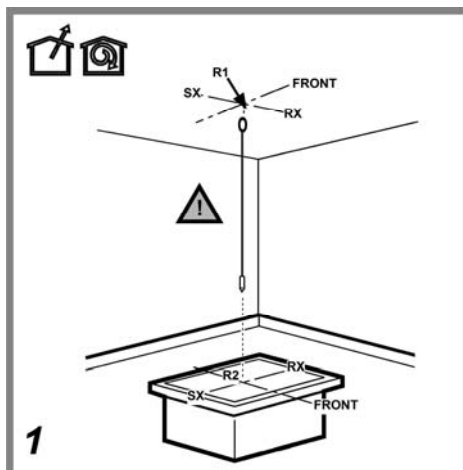
**Häfele Home Showroom**  
The Crescent, CR2-07  
107 Tôn Dật Tiên, Quận 7  
TP. Hồ Chí Minh  
Tel: +84 8 5413 6653  
Fax: +84 8 5413 6654  
Email: [info@hafele.com.vn](mailto:info@hafele.com.vn)

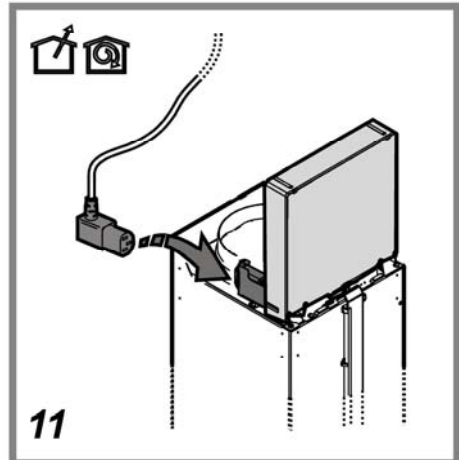
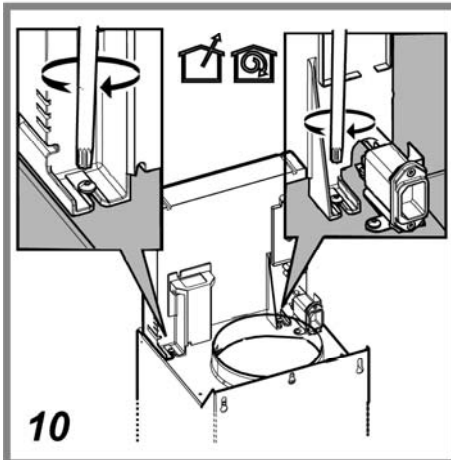
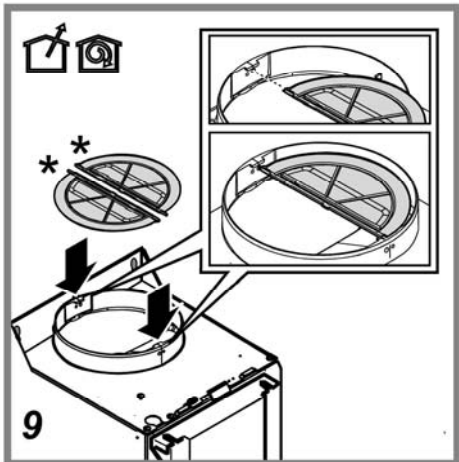
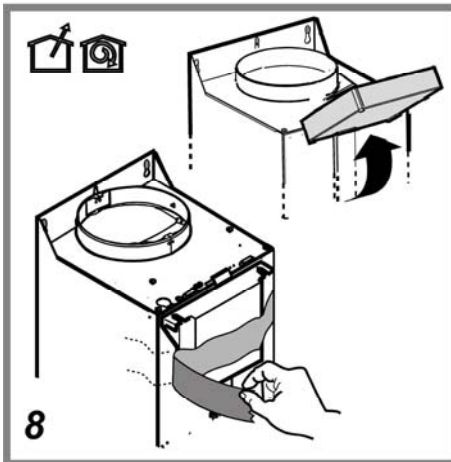
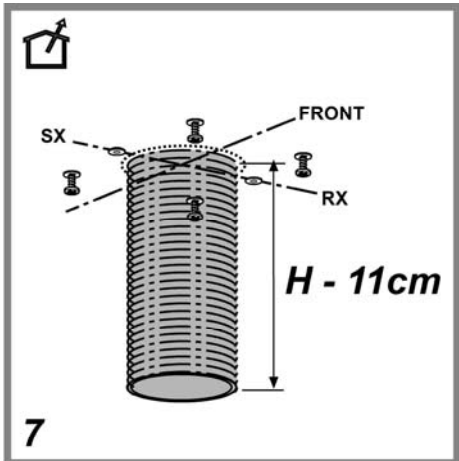
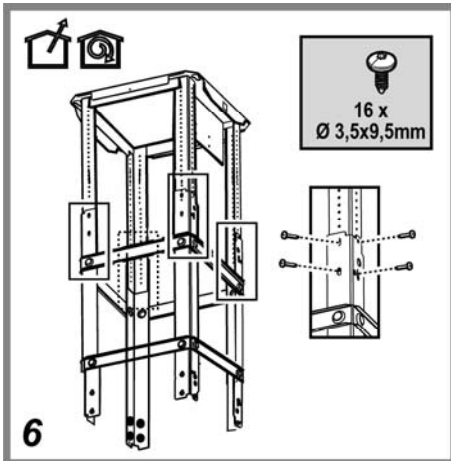
**Häfele Hà Nội**  
**Design Center & Office**  
128 Thụy Khuê, P. Thụy Khuê  
Quận Tây Hồ, Hà Nội  
Tel: +84 4 38 500 400  
Fax: +84 4 38 500 401  
Email: [hanoi@hafele.com.vn](mailto:hanoi@hafele.com.vn)

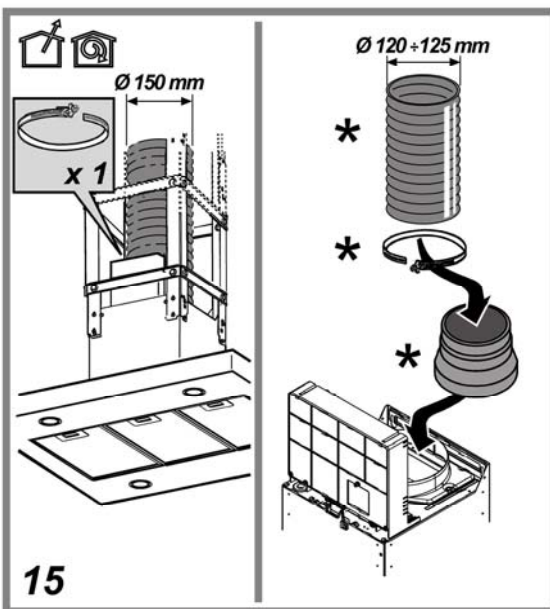
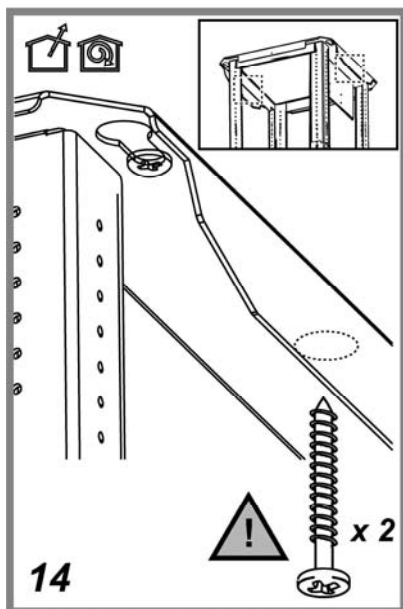
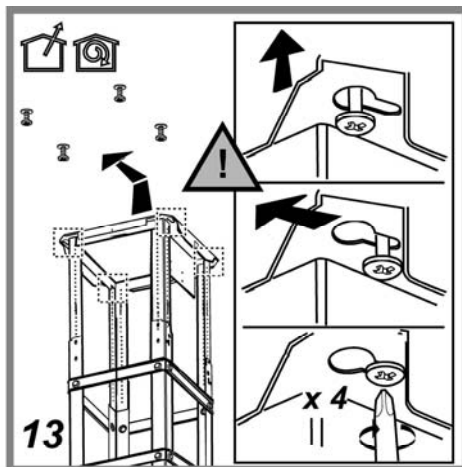
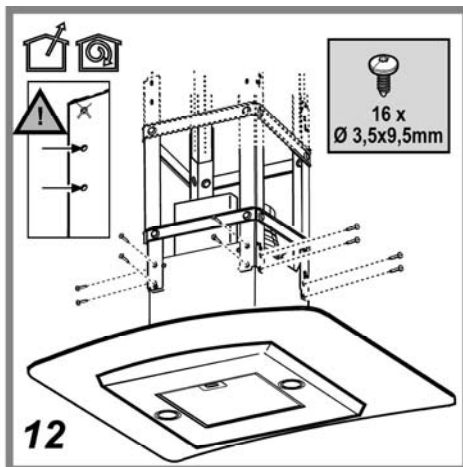
**Häfele Đà Nẵng**  
**Design Center & Office**  
248 Nguyễn Văn Linh  
Quận Thanh Khê, TP. Đà Nẵng  
Tel: +84 511 3584 966  
Fax: +84 511 3584 977  
Email: [danang.sales@hafele.com.vn](mailto:danang.sales@hafele.com.vn)

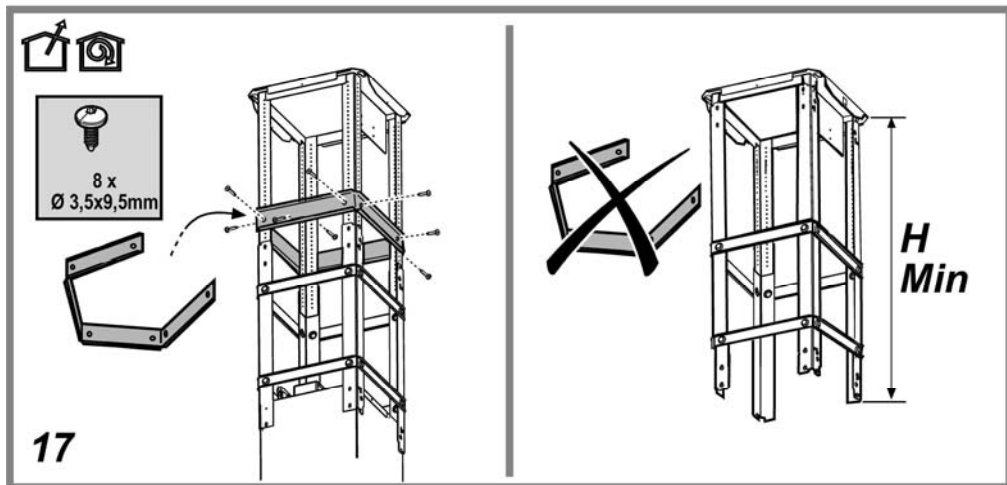
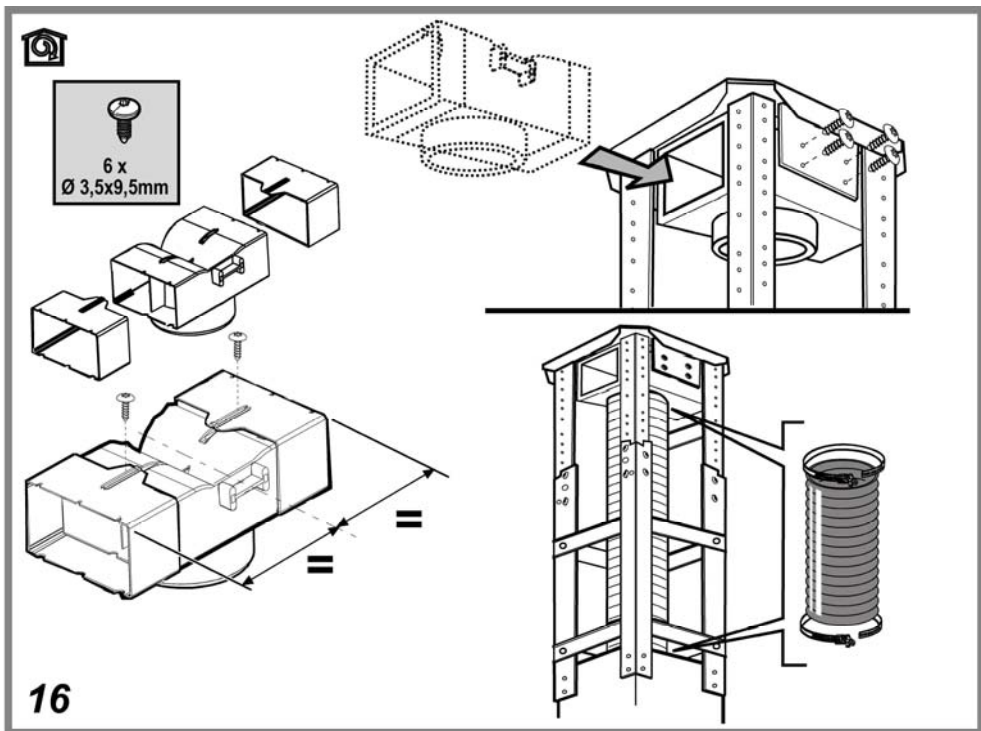
**Häfele Nha Trang Office**  
133 Thái Nguyên  
Phường Phước Tân  
TP. Nha Trang  
Tel: +84 58 3560 988  
Fax: +84 58 3560 989  
Email: [nhatrang@hafele.com.vn](mailto:nhatrang@hafele.com.vn)

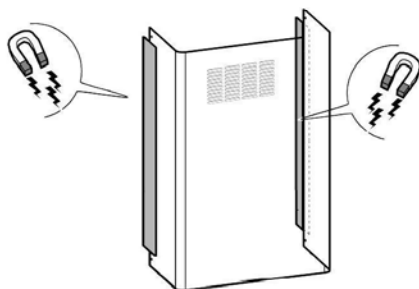
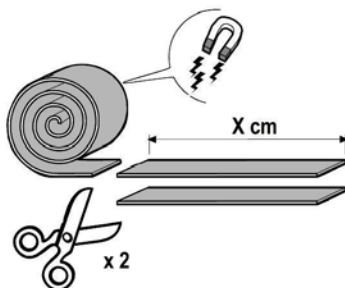
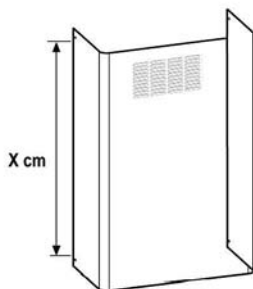
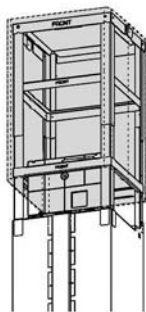
**Häfele Cần Thơ Office**  
Lầu 7 Tòa nhà STS  
11B Hòa Bình  
Quận Ninh Kiều, TP. Cần Thơ  
Tel: +84 710 3819 210  
Fax: +84 710 3819 320  
Email: [cantho@hafele.com.vn](mailto:cantho@hafele.com.vn)



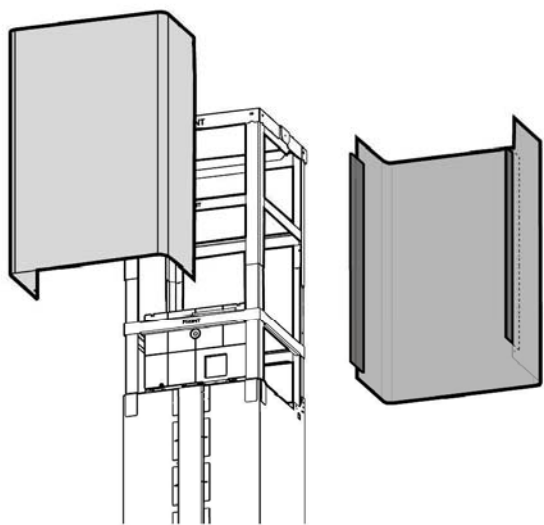




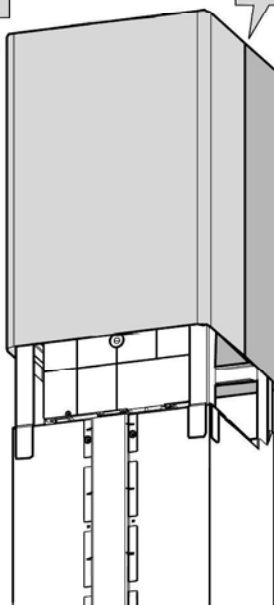
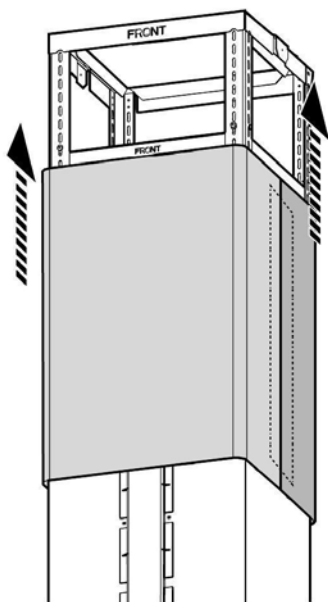
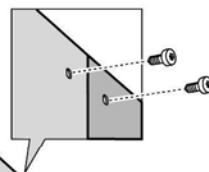
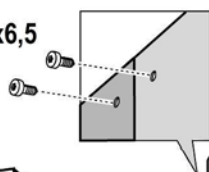




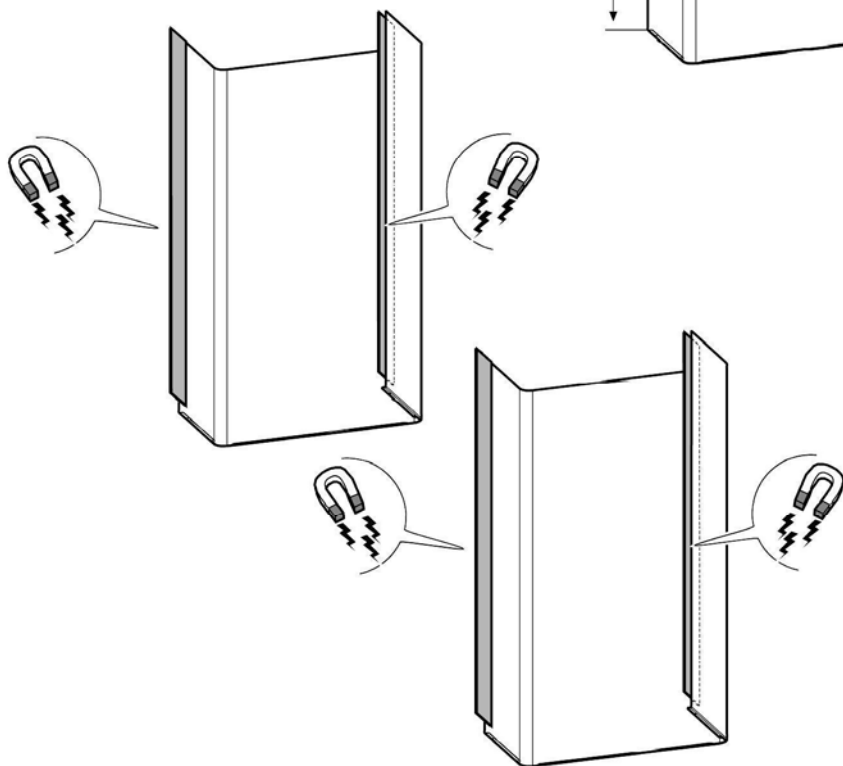
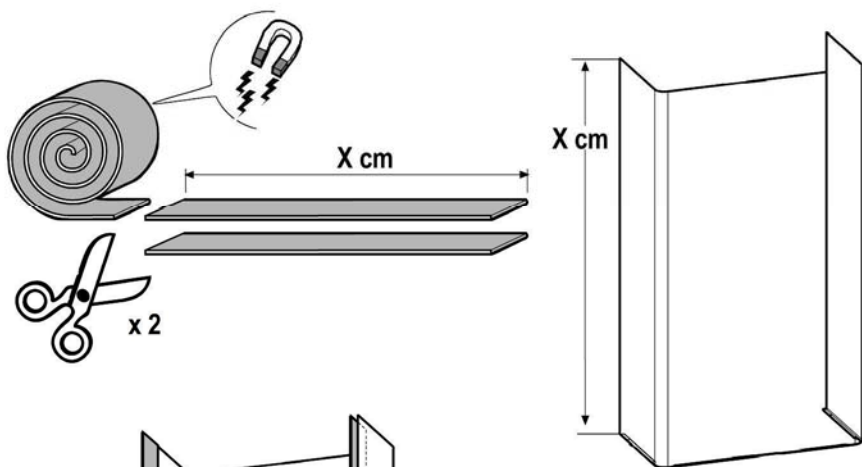
18



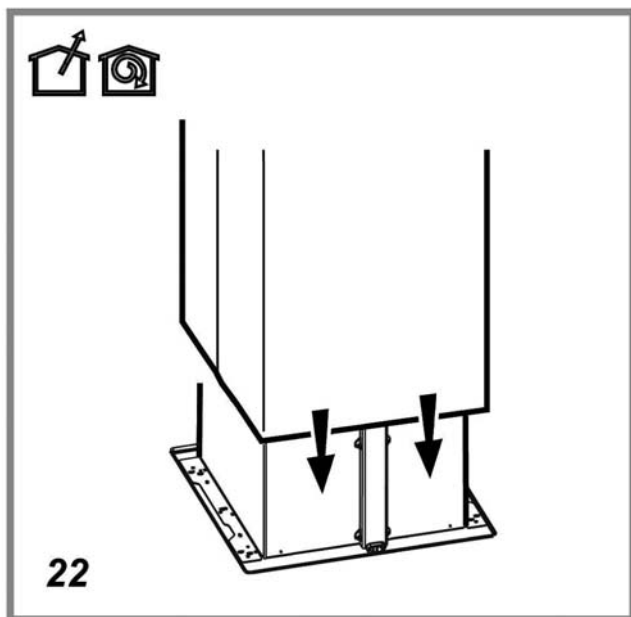
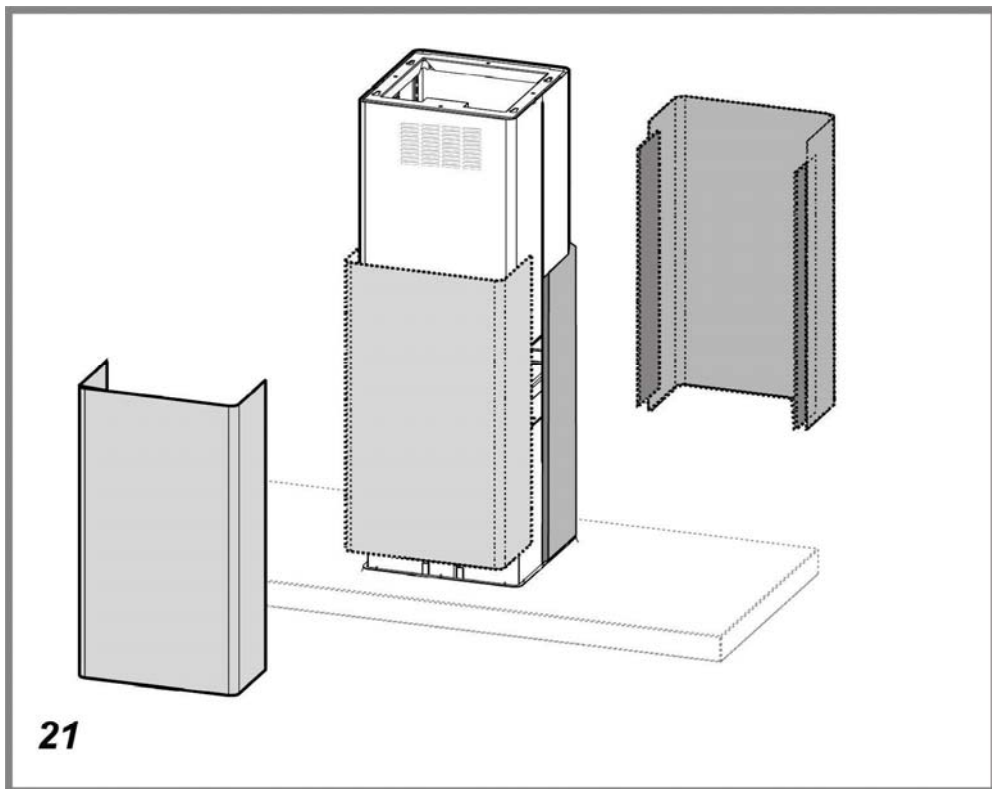
4 x Ø 2,9x6,5

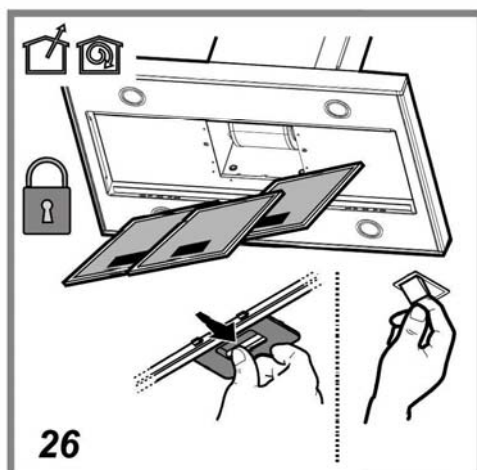
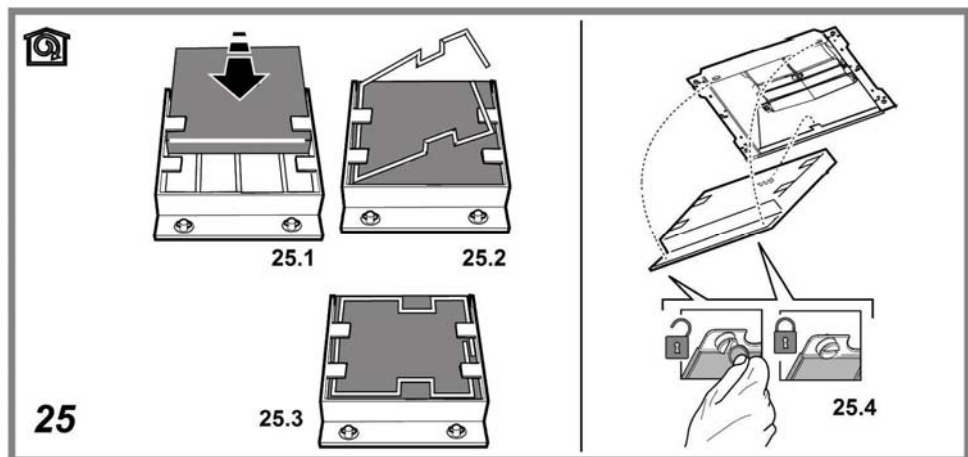
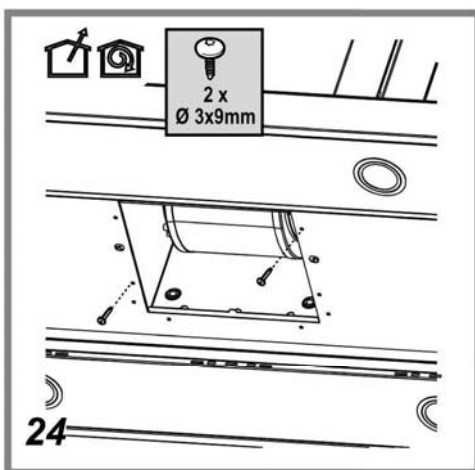
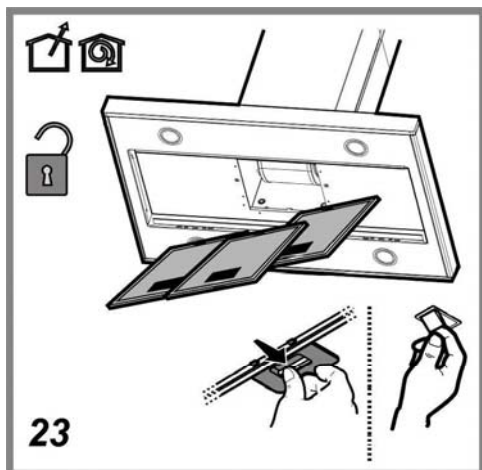


19









**Closely follow the instructions set out in this manual.** All responsibility, for any eventual inconveniences, damages or fires caused by not complying with the instructions in this manual, is declined. This appliance is intended to be used in household and similar application such as: - staff kitchen areas in shop, offices and other working environments; - farm houses; - by clients in hotels, motels and other residential type environments; - bed and breakfast type environments.

**The hood can look different to that illustrated in the drawings in this booklet. The instructions for use, maintenance and installation, however, remain the same.**

- It is important to conserve this booklet for consultation at any moment. In the case of sale, cession or move, make sure it is together with the product.
- Read the instructions carefully: there is important information about installation, use and safety.
- Do not carry out electrical or mechanical variations on the product or on the discharge conduits.
- Before proceeding with the installation of the appliance verify that there are no damaged all components. Otherwise contact your dealer and do not proceed with the installation.

**Note:** The parts marked with the symbol "(\*)" are optional accessories supplied only with some models or otherwise not supplied, but available for purchase.

## **Caution**

- Before any cleaning or maintenance operation, disconnect hood from the mains by removing the plug or disconnecting the mains electrical supply.
- Always wear work gloves for all installation and maintenance operations.
- This appliance can be used by children aged from 8 years and above and persons with reduced physical, sensory or mental capabilities or lack of experience and knowledge if they have been given supervision or instruction concerning use of the appliance in a safe way and understand the hazards involved.
- Children shall not be allowed to tamper with the controls or play with the appliance.

- Cleaning and user maintenance shall not be made by children without supervision.

- The premises where the appliance is installed must be sufficiently ventilated, when the kitchen hood is used together with other gas combustion devices or other fuels.

- The hood must be regularly cleaned on both the inside and outside (AT LEAST ONCE A MONTH).

- This must be completed in accordance with the maintenance instructions provided. Failure to follow the instructions provided regarding the cleaning of the hood and filters will lead to the risk of fires.

- Do not flambé under the range hood.

- For lamp replacement use only lamp type indicated in the Maintenance/Replacing lamps section of this manual.

The use of exposed flames is detrimental to the filters and may cause a fire risk, and must therefore be avoided in all circumstances.

Any frying must be done with care in order to make sure that the oil does not overheat and ignite.

**CAUTION:** Accessible parts of the hood may become hot when used with cooking appliances.

- Do not connect the appliance to the mains until the installation is fully complete.

- With regards to the technical and safety measures to be adopted for fume discharging it is important to closely follow the regulations provided by the local authorities.

- The air must not be discharged into a flue that is used for exhausting fumes from appliance burning gas or other fuels.

- Do not use or leave the hood without the lamp correctly mounted due to the possible risk of electric shocks.

- Never use the hood without effectively mounted grids.

- The hood must NEVER be used as a support surface unless specifically indicated.


- Use only the fixing screws supplied with the product for installation or, if not supplied, purchase the correct screws type.

- Use the correct length for the screws which are identified in the Installation Guide.
- In case of doubt, consult an authorized service assistance center or similar qualified person.

## **⚠ WARNING!**

- Failure to install the screws or fixing device in accordance with these instructions may result in electrical hazards.
- Do not use with a programmer, timer, separate remote control system or any other device that switches on automatically.
- This appliance is marked according to the European directive 2012/19/EC on Waste Electrical and Electronic Equipment (WEEE).
- By ensuring this product is disposed of correctly, you will help prevent potential negative consequences for the environment and human health, which could otherwise be caused by inappropriate waste handling of this product.



- The symbol  on the product, or on the documents accompanying the product, indicates that this appliance may not be treated as household waste. Instead it should be taken to the appropriate collection point for the recycling of electrical and electronic equipment. Disposal must be carried out in accordance with local environmental regulations for waste disposal.
- For further detailed information regarding the process, collection and recycling of this product, please contact the appropriate department of your local authorities or the local department for household waste or the shop where you purchased this product.

Appliance designed, tested and manufactured according to:

- Safety: EN/IEC 60335-1; EN/IEC 60335-2-31, EN/IEC 62233.
- Performance: EN/IEC 61591; ISO 5167-1; ISO 5167-3; ISO 5168; EN/IEC 60704-1; EN/IEC 60704-2-13; EN/IEC 60704-3; ISO 3741; EN 50564; IEC 62301.
- EMC: EN 55014-1; CISPR 14-1; EN 55014-2; CISPR 14-2; EN/IEC 61000-3-2; EN/IEC 61000-3-3. Suggestions for a correct use in order to reduce the environmental impact: Switch ON the hood at minimum speed when you start cooking and kept it running for few minutes after cooking is finished. Increase the speed only in case of large amount of smoke and vapor and use boost speed(s) only in extreme situations. Replace the charcoal filter(s) when necessary to maintain a good odor reduction efficiency. Clean the grease filter(s) when necessary to maintain a good grease filter efficiency. Use the maximum diameter of the ducting system indicated in this manual to optimize efficiency and minimize noise.

## **Use**

The hood is designed to be used either for exhausting or filter version.



### **Extraction version**

In this case the fumes are conveyed outside of the building by means of a special pipe connected with the connection ring located on top of the hood.



### **CAUTION!**

The exhausting pipe is not supplied and must be purchased apart.

Diameter of the exhausting pipe must be equal to that of the connection ring.



### **CAUTION!**

If the hood is supplied with active charcoal filter, then it must be removed.

Connect the hood and discharge holes on the walls with a diameter equivalent to the air outlet (connection flange).

Using the tubes and discharge holes on walls with smaller dimensions will cause a diminution of the suction performance and a drastic increase in noise.

Any responsibility in the matter is therefore declined.

! Use a duct of the minimum indispensable length.

! Use a duct with as few elbows as possible (maximum elbow angle: 90°).

! Avoid drastic changes in the duct cross-section.



### **Filtration version**

The aspirated air will be degreased and deodorised before being fed back into the room.

In order to use the hood in this version, you have to install a system of additional filtering based on activated charcoal.

The models with no suction motor only operate in ducting mode, and must be connected to an external suction device (not supplied).

The connecting instructions are supplied with the peripheral suction unit.

## **Installation**

The minimum distance between the supporting surface for the cooking equipment on the hob and the lowest part of the range hood must be not less than 50cm from electric cookers and 65cm from gas or mixed cookers.

If the instructions for installation for the gas hob specify a greater distance, this must be adhered to.



## Electrical connection

The mains power supply must correspond to the rating indicated on the plate situated inside the hood. If provided with a plug connect the hood to a socket in compliance with current regulations and positioned in an accessible area, after installation. If it not fitted with a plug (direct mains connection) or if the plug is not located in an accessible area, after installation, apply a double pole switch in accordance with standards which assures the complete disconnection of the mains under conditions relating to over-current category III, in accordance with installation instructions.

## ⚠ WARNING!

Before re-connecting the hood circuit to the mains supply and checking the efficient function, always check that the mains cable is correctly assembled.

The hood is provided with a special power cable ; if the cable is damaged, request a new one from Technical Service.

## Mounting

This type of cooker hood must be fixed to the ceiling.

**Very heavy product; hood handling and installation must be carried out by at least two persons.**

### Before beginning installation:

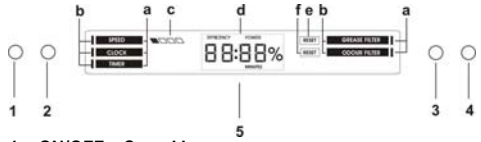
- Check that the product purchased is of a suitable size for the chosen installation area.
- Remove the charcoal (\*) filter/s if supplied (see also relative paragraph). This/these is/are to be mounted only if you want to use the hood in the filtering version.
- Check (for transport reasons) that there is no other supplied material inside the hood (e.g. packets with screws (\*), guarantees (\*), etc.), eventually removing them and keeping them.

Expansion wall plugs are provided to secure the hood to most types of walls/ceilings. However, a qualified technician must verify suitability of the materials in accordance with the type of wall/ceiling. The wall/ceiling must be strong enough to take the weight of the hood.

**Do not tile, grout or silicone this appliance to the wall.**

**Surface mounting only.**

## Operation



**1 = ON/OFF – Speed increase**

**2 = Lights ON/OFF**

**3 = Selection of the desired function**

**4 = Setting the function in use**

**5 = The display shows:**

**a** – list of available functions

**b** – indicator of the function currently in use

**c** – indicator of the speed in use

**d** – clock / data related to the function in use

**e** – saturation of the anti-grease filter

**f** – saturation of the carbon anti-odour filter

## Available functions

### SPEED

#### Switch on/Speed increase:

- press button 1 to switch on the hood
- press button 1 to go to the next speeds, until the hood is switched off

The extraction speed is shown on the display (c), in the following manner:

■ □ □ □	1st	performance
■ □ □ □	speed	40% ***
■ ■ □ □	2nd	performance
■ ■ □ □	speed	60% ***
■ ■ ■ □	3rd	performance
■ ■ ■ □	speed	80% ***
■ ■ ■ ■	high	performance
■ ■ ■ ■	speed	100% ***
□ □ □ □	OFF	

\*\*\* the percentage displayed refers to the indicative value of the performance

The high speed is timed for 10 minutes; to interrupt the timing and switch off the hood press button 1.

**NB=** the speed might increase automatically during use, this is because the control is fitted with a system that protects the display in case of overtemperatures.

## **CLOCK**

### **To set the clock:**

- press button **3** until moving the indicator(b) on function "CLOCK"
- press button **4** to access clock setting
- keep button **4** **pressed**:
  - keeping it pressed for one second increases the time by one minute
  - after 10 seconds, each second it is pressed increases the time by 10 minutes

### **To store the set time:**

- press button **3**

## **TIMER**

### **Stopwatch Function**

- press button **3** until moving the indicator(b) on the "TIMER" function
  - press button **4** to access timer setting
  - **to start the stopwatch**: simultaneously press button **3** and button **4**, for 5 seconds
  - **to stop the stopwatch**: simultaneously press button **3** and button **4**, for 5 seconds
- Note**= after 60 minutes the stopwatch stops automatically

### **"Countdown" Function**

- press button **3** until moving the indicator(b) on the "TIMER" function
- press button **4** to access timer setting
- To set the "Countdown" timer**:
- keep button **4** **pressed**:

- keeping it pressed for one second increases the timer by one minute
- after 10 seconds, each second it is pressed increases the timer by 5 minutes

### **To save the "Countdown" timer**

- press button **3**

**The Timer indicator(b) will start flashing to indicate the start of the "Countdown"**

**When the "Countdown" reaches "0:00" the motor is switched off**

**Note** = to set a new timer, button **4** must be pressed until the indication "0:00" is displayed again

**Note** = the maximum countdown setting time is 60 minutes

## **GREASE FILTER**

### **Display percentage of utilisation:**

- press button **3** until moving the indicator(b) on the "GREASE FILTER" function
- press button **4** to display the percentage of utilisation of the grease filter

### **Grease filter reset warning**

The grease filter warning is displayed after 40 hours of utilisation with the wording "RESET"(e) next to the "GREASE FILTER" function

When this warning is displayed the grease filter must be washed.

After performing maintenance:

- press button **3** until moving the indicator(b) on the "GREASE FILTER" function
- press button **4**, for 5 seconds, to disable the warning and restart the grease filter efficiency percentage counting.

## **ODOUR FILTER**

### **Display percentage of utilisation:**

- press button **3** until moving the indicator(b) on the "ODOUR FILTER" function
- press button **4** to display the percentage of utilisation of the carbon anti-odour filter

### **Carbon anti-odour filter reset warning**

The carbon anti-odour filter warning is displayed after 160 hours of utilisation with the wording "RESET"(f) next to the "ODOUR FILTER" function

When this warning is displayed the carbon anti-odour filter must be washed or replaced (depending on the model you have)

After performing maintenance:

- press button **3** until moving the indicator(b) on the "ODOUR FILTER" function
- press button **4**, for 5 seconds, to disable the warning and restart the carbon anti-odour filter efficiency percentage counting.

**NB= The anti-odour carbon filter function is disabled by default**

**-to enable the anti-odour carbon filter signal, please follow these steps:** with the cooker hood turned off, simultaneously press buttons **3** and **4** for 5 seconds; the words "ODOUR FILTER" will appear on the display, indicating that the signal is on. Repeat the same procedure to disable it.

## Maintenance

### Cleaning

Clean using **ONLY** the cloth dampened with neutral liquid detergent. **DO NOT CLEAN WITH TOOLS OR INSTRUMENTS.** Do not use abrasive products. **DO NOT USE ALCOHOL!**

### Grease filter-Fig. 23-26

**Traps cooking grease particles.**

This must be cleaned once a month (or when the filter saturation indication system – if envisaged on the model in possession – indicates this necessity) using non aggressive detergents, either by hand or in the dishwasher, which must be set to a low temperature and a short cycle.

When washed in a dishwasher, the grease filter may discolor slightly, but this does not affect its filtering capacity.

To remove the grease filter, pull the spring release handle.

### Charcoal filter (filter version only)-Fig. 25

**It absorbs unpleasant odors caused by cooking.**

The activated charcoal filter can be one of these types:

- **Washable activated charcoal filter.**
- **NON-washable activated charcoal filter.**

#### Washable activated charcoal filter

The charcoal filter can be washed once every two months using hot water and a suitable detergent, or in a dishwasher at 65°C (if the dishwasher is used, select the full cycle function and leave dishes out).

Eliminate excess water without damaging the filter, then remove the mattress located inside the plastic frame and put it in the oven for 10 minutes at 100° C to dry completely. Replace the mattress every 3 years and when the cloth is damaged.

#### NON-washable activated charcoal filter

The saturation of the **charcoal filter** occurs after more or less prolonged use, depending on the type of cooking and the regularity of cleaning of the grease filter.

In any case it is necessary to replace the cartridge at least every four months.

The charcoal filter may NOT be washed or regenerated.

#### Assembly

Hook the charcoal filter at the back on the metal tongue of the hood first, then on the front with the two knobs.

#### Disassembly

Remove the charcoal filter by turning the knobs fixing it to the hood by 90°.

### Replacing lamps

The hood is equipped with a lighting system based on LED technology.

The LEDs guarantee an optimum lighting, a duration up to 10 times as long as the traditional lamps and allow to save 90% electrical energy.

For replacement, contact the technical service.



# HÄFELE

Công ty TNHH Häfele Việt Nam  
Lầu 3, Ree Tower, 9 Đoàn Văn Bơ,  
Phường 12, Quận 4, TP. Hồ Chí Minh  
Tel: +84 8 39 113 113 - Fax: +84 8 39 113 114  
[www.hafele.com.vn](http://www.hafele.com.vn)

## HƯỚNG DẪN LẮP ĐẶT VÀ SỬ DỤNG

<b>Mẫu</b>	<b>Số hiệu hàng hóa Häfele</b>
<b>HH-IS90A</b>	<b>539.81.715</b>

**Häfele Design Center**  
46A Nguyễn Văn Trỗi  
Quận Phú Nhuận  
TP. Hồ Chí Minh  
Tel: +84 8 399 77 300  
Fax: +84 8 399 77 301  
Email: [info@hafele.com.vn](mailto:info@hafele.com.vn)

**Häfele Home Showroom**  
The Crescent, CH2-07  
107 Tôn Dật Tiên, Quận 7  
TP. Hồ Chí Minh  
Tel: +84 8 5413 6653  
Fax: +84 8 5413 6654  
Email: [info@hafele.com.vn](mailto:info@hafele.com.vn)

**Häfele Hà Nội**  
**Design Center & Office**  
128 Thụy Khuê, P. Thụy Khuê  
Quận Tây Hồ, Hà Nội  
Tel: +84 4 38 500 400  
Fax: +84 4 38 500 401  
Email: [hanoi@hafele.com.vn](mailto:hanoi@hafele.com.vn)

**Häfele Đà Nẵng**  
**Design Center & Office**  
248 Nguyễn Văn Linh  
Quận Thanh Khê, TP. Đà Nẵng  
Tel: +84 511 3584 966  
Fax: +84 511 3584 977  
Email: [danang.sales@hafele.com.vn](mailto:danang.sales@hafele.com.vn)

**Häfele Nha Trang Office**  
133 Thái Nguyên  
Phường Phước Tân  
TP. Nha Trang  
Tel: +84 58 3560 988  
Fax: +84 58 3560 989  
Email: [nhatrang@hafele.com.vn](mailto:nhatrang@hafele.com.vn)

**Häfele Cần Thơ Office**  
Lầu 7 Tòa nhà STS  
11B Hòa Bình  
Quận Ninh Kiều, TP. Cần Thơ  
Tel: +84 710 3819 210  
Fax: +84 710 3819 320  
Email: [cantho@hafele.com.vn](mailto:cantho@hafele.com.vn)



## Hướng dẫn lắp đặt và sử dụng

**Tuân thủ nghiêm ngặt các hướng dẫn trong sổ tay hướng dẫn này.** Chúng tôi không chịu trách nhiệm cho bất kỳ sự bất tiện, thiệt hại hay hỏa hoạn nào do không tuân thủ hướng dẫn này. Thiết bị này được thiết kế để sử dụng trong gia đình và trong các ứng dụng tương tự như: - khu vực nhà bếp dành cho nhân viên trong cửa hàng, văn phòng và các môi trường làm việc khác; - trang trại; - bởi khách nghỉ trong các khách sạn, nhà nghỉ và các môi trường cư trú khác; - các khách sạn phục vụ bữa sáng.

**Máy hút mùi có thể khác với hình minh họa trong sổ tay hướng dẫn này. Tuy nhiên, các hướng dẫn sử dụng, bảo trì và lắp đặt vẫn được giữ nguyên.**

- Cần cất giữ sổ tay này để có thể tham khảo bất cứ lúc nào. Trong trường hợp bán, chuyển nhượng hoặc di chuyển sản phẩm, hãy đảm bảo mang theo sổ tay hướng dẫn cùng với sản phẩm.
- Đọc kỹ hướng dẫn: tài liệu có chứa các thông tin quan trọng về lắp đặt, sử dụng và đảm bảo an toàn.
- Không được chỉnh sửa điện hoặc cơ học trên sản phẩm hoặc trên ống xả.
- Trước khi tiến hành lắp đặt thiết bị, hãy kiểm tra và đảm bảo thiết bị không có hư hỏng nào. Nếu không, hãy liên hệ với đại lý mà bạn đã mua sản phẩm và ngừng lắp đặt.

**Lưu ý:** Các bộ phận được đánh dấu "(\*)" là các phụ kiện không bắt buộc và chỉ được cung cấp trên một số mẫu sản phẩm, hoặc không được cung cấp nhưng có bán bên ngoài.



### **Thận trọng**

- Trước khi vệ sinh hoặc bảo trì sản phẩm, hãy ngắt máy hút mùi khỏi nguồn điện bằng cách tháo phích điện hoặc ngắt kết nối nguồn điện chính.

- Luôn đeo găng tay làm việc bất cứ khi nào lắp đặt và bảo trì sản phẩm.
- Trẻ em từ 8 tuổi trở lên và người có khả năng thể chất, giác quan hoặc tinh thần hạn chế hoặc thiếu kinh nghiệm và kiến thức có thể sử dụng thiết bị này nếu được giám sát hoặc hướng dẫn sử dụng thiết bị một cách an toàn và hiểu rõ các mối nguy hiểm liên quan.
- Không để trẻ em nghịch các nút điều khiển hoặc chơi đùa với thiết bị.
- Không để trẻ em vệ sinh và bảo trì sản phẩm nếu không có sự giám sát.
- Cơ sở lắp đặt thiết bị phải được thông gió đầy đủ nếu máy hút mùi được sử dụng cùng với các thiết bị đốt khí ga hoặc các nhiên liệu khác.
- Phải thường xuyên vệ sinh máy hút mùi cả bên trong và bên ngoài (ÍT NHẤT MỖI THÁNG MỘT LẦN).
- Vệ sinh thiết bị theo hướng dẫn bảo trì được cung cấp. Có thể xảy ra hỏa hoạn nếu không tuân thủ các hướng dẫn được cung cấp về việc vệ sinh máy hút mùi và bộ lọc.
- Không được sử dụng kỹ thuật đốt rượu dưới máy hút mùi.
- Khi thay đèn, chỉ sử dụng loại đèn được chỉ định trong phần Bảo trì/Thay đèn trong sổ tay hướng dẫn này.  
Để thiết bị tiếp xúc với lửa sẽ làm hỏng bộ lọc và có thể gây ra hỏa hoạn, do đó phải tránh để thiết bị tiếp xúc với lửa trong mọi trường hợp.  
Khi chiên rán, cần cẩn thận không để dầu quá nóng và bắt lửa.  
**THẬN TRỌNG:** Các bộ phận có thể tiếp cận của máy hút mùi có thể bị nóng khi sử dụng các dụng cụ nấu ăn.
- Không nối thiết bị với nguồn điện cho đến khi hoàn tất lắp đặt.
- Cần tuân thủ chặt chẽ các quy định của chính quyền địa phương khi sử dụng các biện


pháp kỹ thuật và an toàn để xả khói.

- Không xả không khí vào ống khói được sử dụng để xả khói từ khí ga đốt hoặc các nhiên liệu khác.
- Không sử dụng hoặc để kệ máy hút bụi khi chưa lắp đèn đúng cách do có thể gây ra điện giật.
- Không bao giờ sử dụng máy hút mùi khi chưa có lưới điện được lắp đặt hiệu quả.
- **KHÔNG BAO GIỜ** được sử dụng máy hút mùi làm bề mặt đỡ trừ khi được chỉ định cụ thể.
- Khi lắp đặt sản phẩm, chỉ sử dụng ốc vít có định đi kèm với sản phẩm hoặc, nếu không có ốc vít đi kèm, hãy mua đúng loại ốc vít.
- Sử dụng ốc vít có độ dài chính xác được xác định trong Hướng dẫn lắp đặt.
- Nếu có bất kỳ nghi ngờ gì, vui lòng hỏi ý kiến của trung tâm hỗ trợ dịch vụ được ủy quyền hoặc người có trình độ tương tự.

### ▲ CẢNH BÁO!

- Không lắp đặt ốc vít hoặc thiết bị gắn theo hướng dẫn này có thể gây ra các môi nguy hiểm về điện.
- Không sử dụng với bộ lập trình, máy hẹn giờ, hệ thống điều khiển từ xa riêng hoặc bất kỳ thiết bị nào khác tự động khởi động.
- Thiết bị này được đánh dấu theo Chỉ thị Châu Âu 2012/19/EC về chất thải từ thiết bị điện và điện tử (WEEE).
- Bằng cách đảm bảo sản phẩm này được tiêu hủy đúng cách, bạn sẽ giúp ngăn chặn các hậu quả tiêu cực tiềm ẩn với môi trường và sức khỏe con người do tiêu hủy sản phẩm này không đúng cách.



- Biểu tượng |  trên sản phẩm hoặc trên các tài liệu đi kèm sản phẩm, biểu thị rằng không nên xử lý thiết bị này như chất thải

sinh hoạt. Thay vào đó, nên đưa thiết bị đến điểm thu gom thích hợp để tái chế thiết bị điện và điện tử. Quy trình tiêu hủy phải tuân thủ các quy định về môi trường của địa phương khi xử lý chất thải.

- Để biết thêm thông tin chi tiết về việc xử lý, thu gom và tái chế sản phẩm này, vui lòng liên hệ với bộ phận thích hợp của chính quyền địa phương, bộ phận xử lý chất thải sinh hoạt địa phương hoặc cửa hàng nơi bạn mua sản phẩm này.

Thiết bị được thiết kế, kiểm nghiệm và sản xuất theo:

- Tiêu chuẩn an toàn: EN/IEC 60335-1; EN/IEC 60335-2-31, EN/IEC 62233.
- Tiêu chuẩn hiệu suất: EN/IEC 61591; ISO 5167-1; ISO 5167-3; ISO 5168; EN/IEC 60704-1; EN/IEC 60704-2-13; EN/IEC 60704-3; ISO 3741; EN 50564; IEC 62301.
- EMC: EN 55014-1; CISPR 14-1; EN 55014-2; CISPR 14-2; EN/IEC 61000-3-2; EN/IEC 61000-3-3. Đề xuất sử dụng thiết bị đúng cách để giảm tác động môi trường: **BẬT** máy hút mùi ở tốc độ tối thiểu khi bắt đầu nấu ăn và để máy chạy vài phút sau khi nấu xong. Chỉ tăng tốc độ trong trường hợp có lượng khói và hơi lớn và chỉ được sử dụng chế độ tăng tốc trong những tình huống cấp bách. Thay (các) bộ lọc than nếu cần để duy trì hiệu quả giảm mùi tốt. Vệ sinh (các) bộ lọc dầu mỡ nếu cần để duy trì hiệu quả lọc dầu mỡ tốt. Sử dụng hệ thống ống dẫn với đường kính tối đa như mô tả trong sổ tay hướng dẫn này để tối ưu hóa hiệu suất và giảm tiếng ồn.

### Mục đích sử dụng

Máy hút mùi được thiết kế để hút mùi hoặc lọc mùi.



### **Kiểu hút**

Trong trường hợp này, khói được chuyển ra ngoài tòa nhà bằng một đường ống đặc biệt nối với vòng kết nối nằm trên đỉnh của máy hút mùi.

#### **⚠ THẬN TRỌNG!**

Ống xả không đi kèm với sản phẩm và phải mua riêng.

Đường kính của ống xả phải bằng đường vòng kết nối.

#### **⚠ THẬN TRỌNG!**

Nếu máy hút mùi đi kèm bộ lọc than hoạt tính, cần tháo bỏ bộ phận này.

Nối máy hút mùi và lỗ xả khí trên tường với đường kính tương đương với cửa thoát khí (mặt bích nối).

Sử dụng ống xả và lỗ xả trên tường có kích thước nhỏ hơn sẽ làm giảm hiệu suất hút mùi và tăng đáng kể tiếng ồn.

Do đó, chúng tôi không chịu bất kỳ trách nhiệm nào về vấn đề này.

- ! Sử dụng ống dẫn có chiều dài tối thiểu.
- ! Sử dụng ống dẫn càng ít khuỷu ống càng tốt (góc khuỷu tối đa: 90°).
- ! Tránh chỉnh sửa quá nhiều tiết diện ống.



### **Kiểu lọc**

Khí được hút sẽ được tẩy dầu mỡ và khử mùi trước khi được đưa trở lại phòng.

Để sử dụng máy hút mùi theo cách này, bạn phải lắp đặt một hệ thống lọc than hoạt tính bổ sung.

Các mẫu sản phẩm không có động cơ hút chỉ hoạt động trong chế độ ống dẫn và phải được kết nối với thiết bị hút bên ngoài (không đi kèm)

Thiết bị hút ngoại vi có kèm theo các hướng

dẫn kết nối.

### **Lắp đặt**

Khoảng cách tối thiểu giữa bề mặt đỡ thiết bị nấu ăn trên bếp và phần thấp nhất của máy hút mùi không được nhỏ hơn 50cm so với bếp điện và 65cm từ bếp ga hoặc bếp hỗn hợp.

Tuân thủ theo hướng dẫn nếu hướng dẫn lắp đặt bếp ga quy định khoảng cách lớn hơn.



### **Nối điện**

Nguồn điện chính phải có định mức tương ứng với định mức ghi trên bảng thông tin bên trong máy hút mùi. Nếu sản phẩm có phích điện đi kèm, nối máy hút mùi với ổ cắm theo các quy định hiện hành và đặt ở vị trí dễ tiếp cận sau khi lắp đặt. Nếu sản phẩm không đi kèm phích điện (nối nguồn điện trực tiếp) hoặc nếu phích điện không nằm trong vị trí dễ tiếp cận, sau khi lắp đặt, hãy sử dụng công tắc hai cực theo tiêu chuẩn đảm bảo ngắt hoàn toàn nguồn điện trong các điều kiện liên quan đến quá dòng loại III, theo hướng dẫn cài đặt.



### **CẢNH BÁO!**

Trước khi kết nối lại mạch điện máy hút mùi với nguồn điện chính và kiểm tra chức năng của máy, hãy luôn kiểm tra xem dây cáp nguồn điện có được lắp đặt đúng cách hay không.

Máy hút mùi đi kèm với một dây cáp điện đặc biệt; nếu dây cáp bị hỏng, hãy yêu cầu dây cáp mới từ Bộ phận Dịch vụ Kỹ thuật.

### **Lắp đặt**

Loại máy hút mùi này phải được gắn vào trần nhà.

**Sản phẩm rất nặng; cần có tối thiểu 2 người khi xử lý và lắp đặt máy hút mùi.**

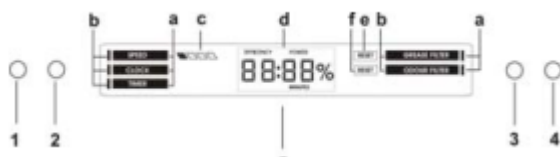
**Trước khi bắt đầu lắp đặt:**

- Kiểm tra xem sản phẩm đã mua có kích thước phù hợp với vị trí lắp đặt đã chọn hay không.
- Tháo bộ lọc than (\*) nếu đi kèm với sản phẩm (xem phần tương ứng). Chỉ được lắp bộ phận này nếu bạn muốn sử dụng máy hút mùi theo kiểu lọc.
- Kiểm tra (vì lý do vận chuyển) và đảm bảo không có vật liệu đi kèm ở bên trong máy hút mùi (ví dụ: các gói ốc vít (\*), giấy bảo hành (\*), v.v...), và bỏ chúng ra để cất giữ riêng.

Phích cắm tường nói rộng được cung cấp để gắn cố định máy hút mùi vào hầu hết các loại tường/trần nhà. Tuy nhiên, kỹ thuật viên đủ trình độ phải xác minh tính phù hợp của vật liệu so với loại tường/trần nhà. Tường/trần phải đủ vững chắc để chịu được trọng lượng của máy hút mùi.

**Không được lát gạch, vữa hoặc silicone để gắn thiết bị này vào tường. Chỉ được lắp đặt trên bề mặt.**

### Vận hành



- 1 = BẬT/TẮT - Tăng tốc độ
- 2 = Đèn BẬT/TẮT
- 3 = Lựa chọn chức năng mong muốn
- 4 = Cài đặt chức năng sử dụng

### 5 = Màn hình hiển thị:

- a - danh sách các chức năng có sẵn
- b - đèn báo chức năng hiện đang sử dụng
- c - đèn báo tốc độ hiện tại
- d - đồng hồ/dữ liệu liên quan đến chức năng đang sử dụng
- e - độ bão hòa của bộ lọc dầu mỡ
- f - độ bão hòa của bộ lọc mùi bằng than

## Các chức năng có sẵn

### TỐC ĐỘ

#### Bật/Tăng tốc độ:

- nhấn nút **1** để bật máy hút mùi
- nhấn nút **1** để chuyển sang tốc độ tiếp theo, cho đến khi máy hút mùi tắt

Tốc độ hút được hiển thị trên màn hình (c), theo cách sau:

■ □ □ □	Tốc độ 1	h.suất 40% ***
■ ■ □ □	Tốc độ 2	h.suất 60% ***
■ ■ ■ □	Tốc độ 3	h.suất 80% ***
■ ■ ■ ■	Tốc độ cao	h.suất 100% ***
□ □ □ □	TẮT	

\*\*\* tỷ lệ hiển thị biểu thị giá trị hiệu suất

Tốc độ cao được bật trong vòng 10 phút; để tạm dừng và tắt máy hút mùi, bấm nút **1**.

**Lưu ý** = tốc độ có thể tự động tăng trong quá trình sử dụng do bộ điều khiển được trang bị hệ thống bảo vệ màn hình trong trường hợp quá nhiệt.

### ĐỒNG HỒ

#### Để cài đặt đồng hồ:

- nhấn nút **3** cho đến khi di chuyển chỉ báo (b) về chức năng “ĐỒNG HỒ”
- nhấn nút **4** để truy cập cài đặt đồng hồ
- nhấn **giữ** nút **4**:
  - nhấn giữ trong một giây để tăng thêm một phút
  - sau 10 giây, mỗi giây nhấn sẽ tăng thời gian thêm 10 phút

#### Để lưu thời gian đã thiết lập:

- nhấn nút **3**

### BỘ HẸN GIỜ

#### Chức năng bấm giờ

- nhấn nút **3** cho đến khi di chuyển chỉ báo (b) về chức năng “HẸN GIỜ”
- nhấn nút **4** để truy cập cài đặt hẹn giờ

- **để bắt đầu bấm giờ:** đồng thời nhấn nút **3** và nút **4**, trong 5 giây

- **để dừng bấm giờ:** đồng thời nhấn nút **3** và nút **4**, trong 5 giây

**Lưu ý** = sau 60 phút đồng hồ bấm giờ tự động dừng

### **Chức năng “đếm ngược”**

- nhấn nút **3** cho đến khi di chuyển chỉ báo (b) về chức năng “HẸN GIỜ”

- nhấn nút **4** để truy cập cài đặt hẹn giờ

#### **Để cài đặt hẹn giờ “đếm ngược”:**

- nhấn giữ nút **4**:

- nhấn giữ trong một giây để tăng thêm một phút
- sau 10 giây, mỗi giây nhấn sẽ tăng thời gian thêm 5 phút

#### **Để lưu hẹn giờ “đếm ngược”**

- nhấn nút **3**

**Đèn báo Hẹn giờ (b) sẽ bắt đầu nhấp nháy để biểu thị bắt đầu “Đếm ngược”**

**Khi “Đếm ngược” đạt “0:00”, động cơ sẽ tắt**

**Lưu ý** = để đặt hẹn giờ mới, nhấn nút **4** cho đến khi chỉ báo “0:00” hiển thị lại

**Lưu ý** = thời gian cài đặt đếm ngược tối đa là 60 phút

### **BỘ LỌC DẦU MỠ**

#### **Hiện thị phần trăm sử dụng:**

- nhấn nút **3** cho đến khi di chuyển chỉ báo (b) về chức năng “BỘ LỌC DẦU MỠ”

- nhấn nút **4** để hiển thị tỷ lệ sử dụng bộ lọc dầu mỡ

#### **Cảnh báo đặt lại bộ lọc dầu mỡ**

Cảnh báo bộ lọc dầu mỡ được hiển thị sau 40 giờ sử dụng với từ “CÀI ĐẶT LẠI” (e) bên cạnh chức năng “BỘ LỌC DẦU MỠ”

Khi cảnh báo này được hiển thị, cần rửa sạch bộ lọc dầu mỡ.

Sau khi bảo dưỡng:

- nhấn nút **3** cho đến khi di chuyển chỉ báo (b) về chức năng “BỘ LỌC DẦU MỠ”

- nhấn nút **4** trong 5 giây để tắt cảnh báo và khởi động lại bộ đếm phần trăm hiệu suất lọc dầu mỡ.

### **BỘ LỌC MÙI**

#### **Hiện thị phần trăm sử dụng:**

- nhấn nút **3** cho đến khi di chuyển chỉ báo (b) về chức năng “BỘ LỌC MÙI”

- nhấn nút **4** để hiển thị tỷ lệ sử dụng bộ lọc mùi bằng cacbon

#### **Cảnh báo đặt lại bộ lọc mùi bằng cacbon**

Cảnh báo bộ lọc mùi bằng cacbon được hiển thị sau 160 giờ sử dụng với từ “CÀI ĐẶT LẠI” (f) bên cạnh chức năng “BỘ LỌC MÙI”

Khi cảnh báo này được hiển thị, cần rửa sạch hoặc thay thế bộ lọc mùi (tùy theo kiểu máy của bạn)

Sau khi bảo dưỡng:

- nhấn nút **3** cho đến khi di chuyển chỉ báo (b) về chức năng “BỘ LỌC MÙI”

- nhấn nút **4** trong 5 giây để tắt cảnh báo và khởi động lại bộ đếm phần trăm hiệu suất lọc mùi bằng cacbon.

**Lưu ý** = Chức năng lọc mùi bằng cacbon **mặc định bị vô hiệu**

**-để kích hoạt tín hiệu lọc mùi bằng cacbon, hãy làm theo các bước sau:** khi máy hút mùi bị tắt, nhấn đồng thời các nút **3** và **4** trong 5 giây; từ "BỘ LỌC MÙI" sẽ xuất hiện trên màn hình, cho biết tín hiệu đang bật. Lặp lại các bước này để tắt.

#### **Bảo trì**

##### **Vệ sinh**

Khi vệ sinh, **CHỈ** sử dụng vải thấm nước tẩy rửa trung tính. **KHÔNG ĐƯỢC VỆ SINH BẰNG DỤNG CỤ HOẶC THIẾT BỊ.**

Không sử dụng các sản phẩm gây mài mòn.  
**KHÔNG ĐƯỢC DÙNG CỒN!**

### **Bộ lọc dầu mỡ - Hình 23-26**

#### **Giữ lại các phân tử dầu mỡ khi nấu ăn.**

Bộ lọc này phải được vệ sinh mỗi tháng một lần (hoặc khi hệ thống chỉ báo độ bão hòa lọc - nếu được dự tính trên mô hình sở hữu - chỉ ra rằng cần vệ sinh) bằng cách sử dụng chất tẩy rửa không mạnh, bằng tay hoặc bằng máy rửa chén và thiết lập ở mức nhiệt độ thấp và chu trình rửa ngắn.

Khi rửa trong máy rửa chén, bộ lọc dầu mỡ có thể đổi màu một chút, nhưng điều này không ảnh hưởng đến khả năng lọc của thiết bị.

Để tháo bộ lọc dầu mỡ, kéo tay cầm lò xo.

#### **Bộ lọc than (chỉ trong máy hút mùi kiểu lọc)- Hình 25**

#### **Hấp thụ mùi khó chịu khi nấu ăn.**

Bộ lọc than hoạt tính có thể là một trong các loại sau:

- **Bộ lọc than hoạt tính có thể rửa được.**
- **Bộ lọc than hoạt tính không thể rửa được.**

#### **Bộ lọc than hoạt tính có thể rửa được**

Bộ lọc than có thể được rửa sạch hai tháng một lần bằng nước nóng và chất tẩy rửa thích hợp, hoặc trong máy rửa chén ở 65°C (nếu sử dụng máy rửa chén, chọn chức năng chu trình đầy đủ và bỏ hết bát đĩa ra).

Rút bớt nước dư mà không làm hỏng bộ lọc, sau đó tháo đệm bên trong khung nhựa và đặt vào lò trong vòng 10 phút ở 100°C để hong khô hoàn toàn. Thay đệm 3 năm 1 lần và khi vải bị hư hỏng.

#### **Bộ lọc than hoạt tính không thể rửa được**

Bộ lọc than sẽ bị bão hòa sau nhiều lần sử dụng lâu dài, tùy theo kiểu nấu ăn và tần suất vệ sinh bộ lọc dầu mỡ.

Trong mọi trường hợp, cần thay hộp lọc ít nhất bốn tháng một lần.

**KHÔNG** được rửa hoặc tái tạo bộ lọc than.

#### **Lắp ráp**

Móc bộ lọc than vào phía sau lưỡi kim loại của máy hút bụi, sau đó lắp vào phía trước với hai núm.

#### **Tháo dỡ**

Tháo bộ lọc than bằng cách xoay 90° núm cố định bộ lọc vào máy hút mùi.

#### **Thay đèn**

Máy hút mùi được trang bị hệ thống đèn LED.

Đèn LED đảm bảo chiếu sáng tối ưu, thời lượng gấp tới 10 lần so với đèn truyền thống và giúp tiết kiệm 90% năng lượng điện.

Để thay đèn, vui lòng liên hệ với dịch vụ kỹ thuật.