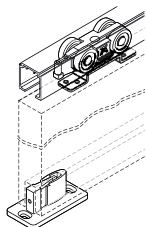











Slido D-Line11

940.42.064	940.83.005	941.02.036
940.42.065	940.83.006	941.02.037
940.42.066	940.83.007	941.02.038
940.42.067	940.83.008	941.02.039




	 A	 B1	 B2	 E
50P	940.42.064	940.42.065	940.42.066	940.42.067
80P	940.83.005	940.83.006	940.83.007	940.83.008
120P	941.02.036	941.02.037	941.02.038	941.02.039

732.29.797

i  B1  B2  E

941.25.602
941.25.603
941.25.606

i 

96 (50 kg)
112 (80-120 kg)
 ≥ 131

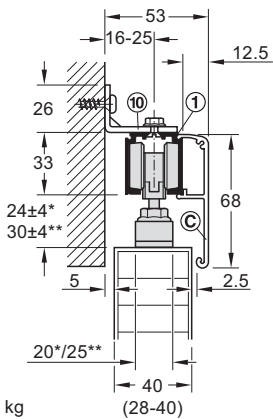
12
9.6
20
11
30

9.5
20
11
30

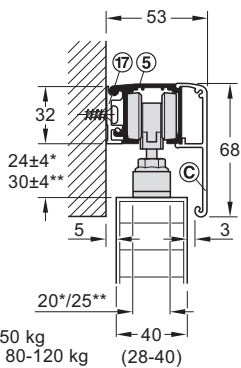
60

HDE 27.01.2021

i



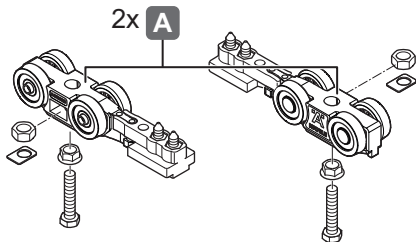
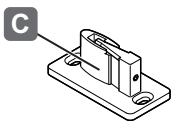
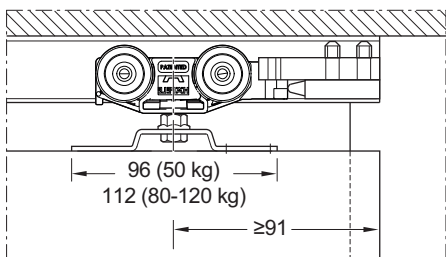
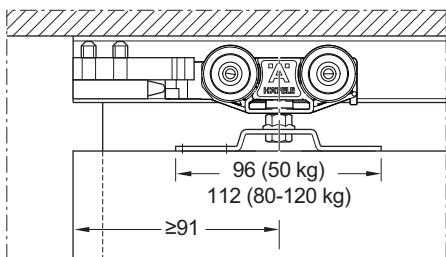
* 50 kg
** 80-120 kg



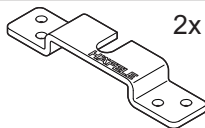
* 50 kg
** 80-120 kg

732.29.797

i

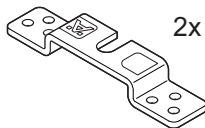


B



2x

≤50kg

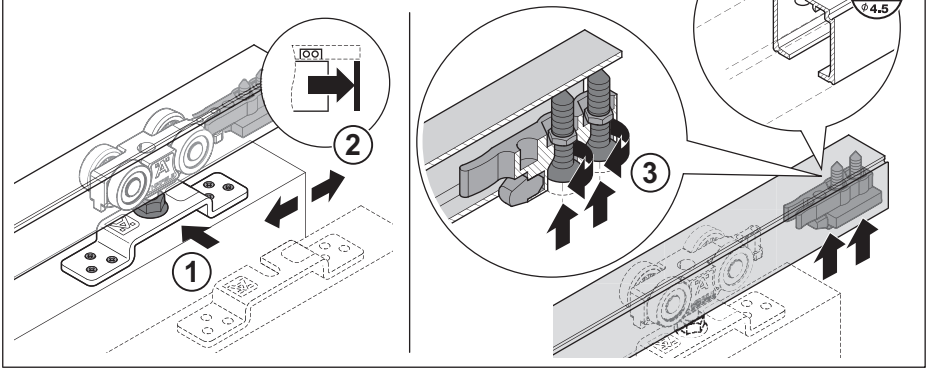


2x

≤120kg

HDE 27.01.2021

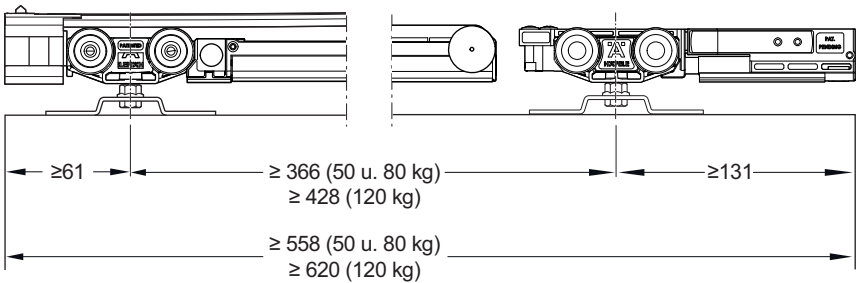
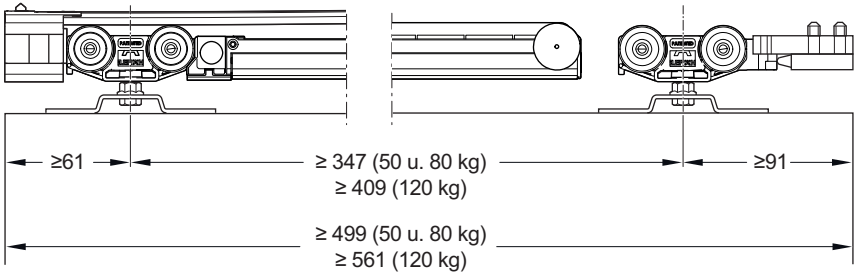
1



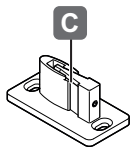
732.29.797

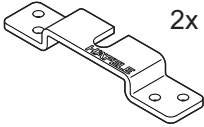
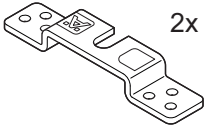
i

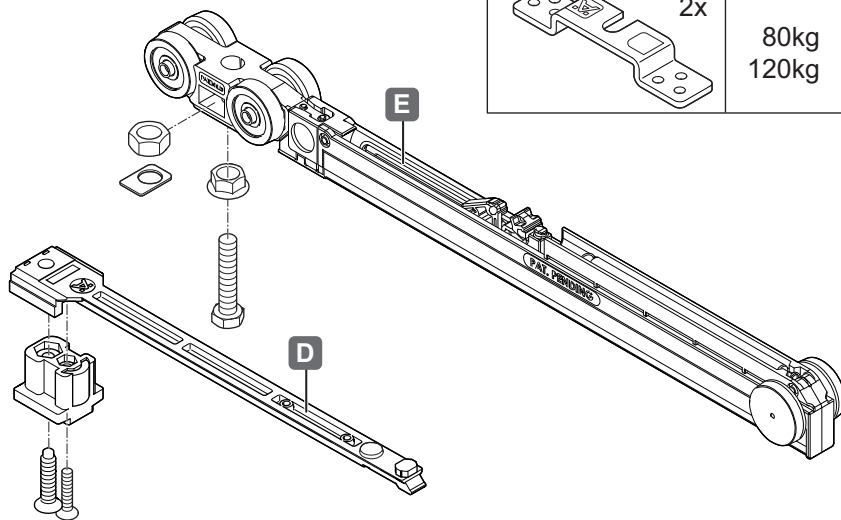
B1/B2



HDE 27.01.2021



B	kg
 2x	50kg
 2x	80kg 120kg



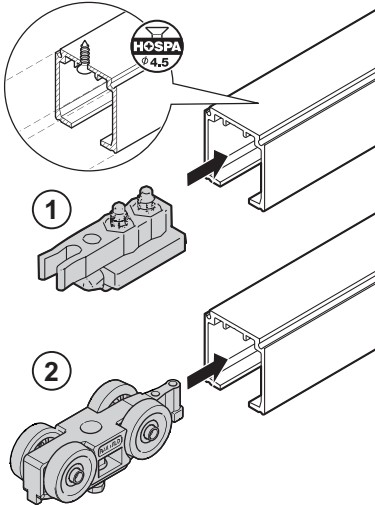
B1	B2

732.29.797

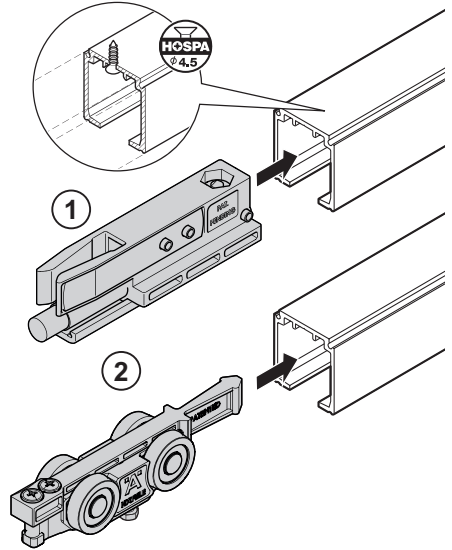
HDE 27.01.2021

1

B1

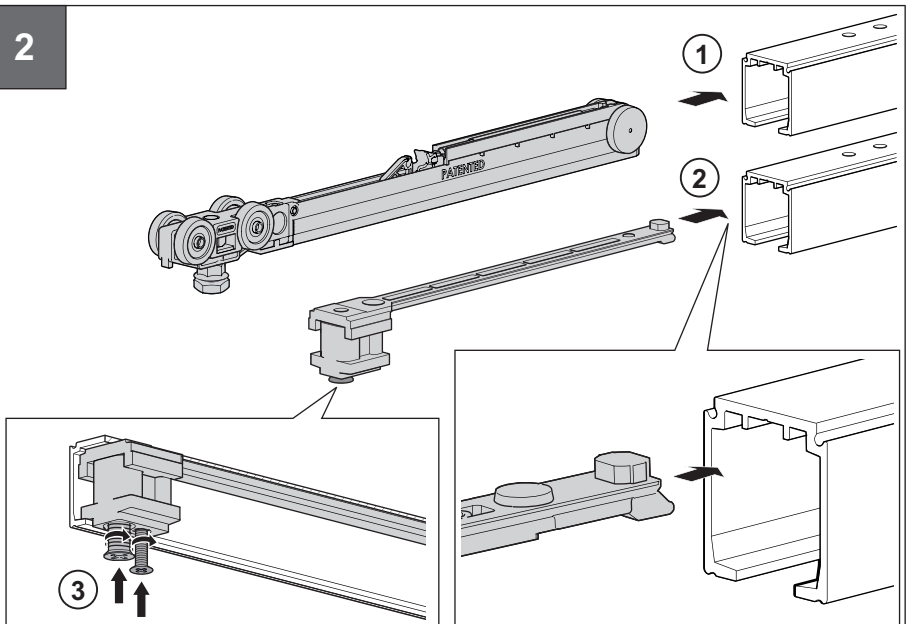


B2

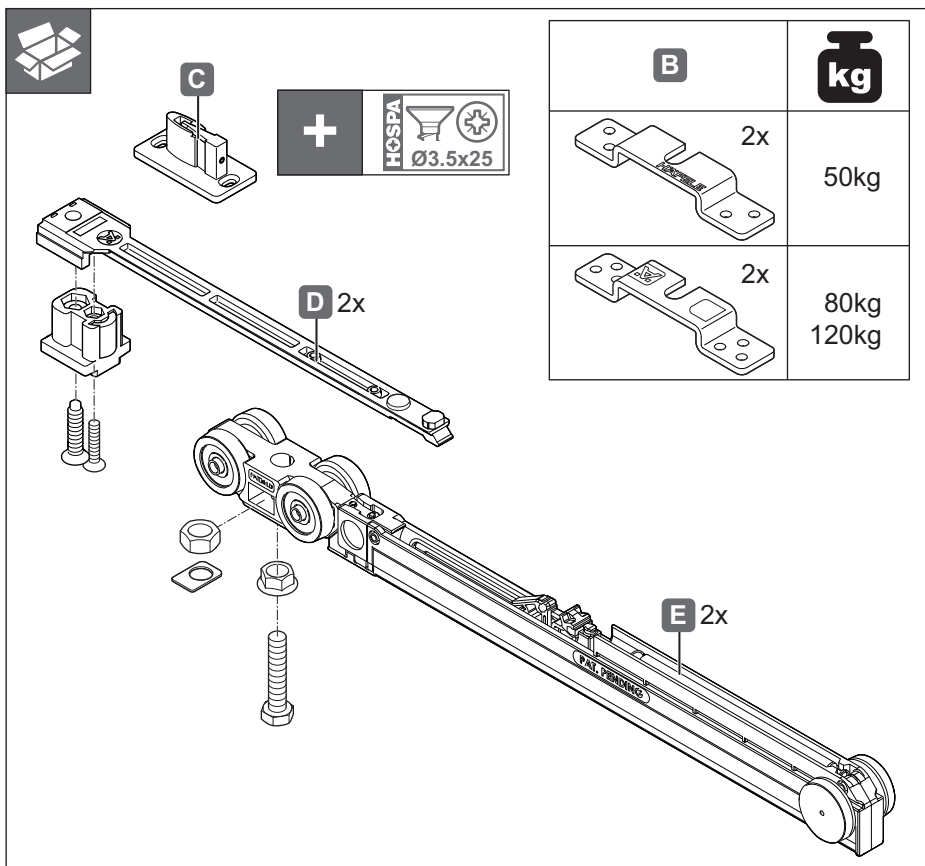
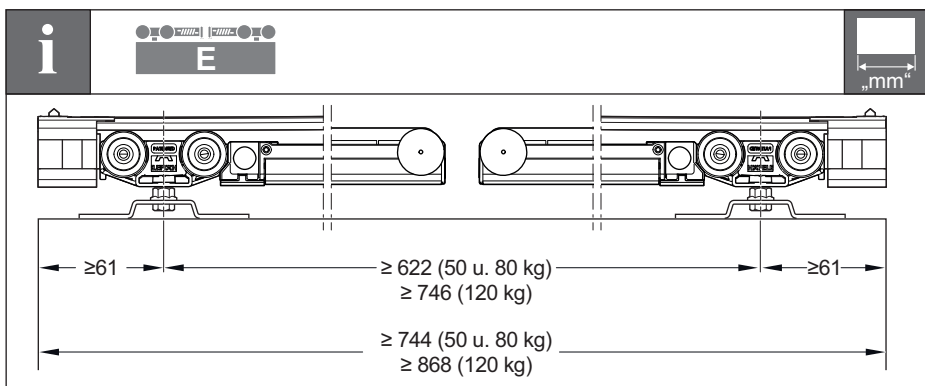


732.29.797

2



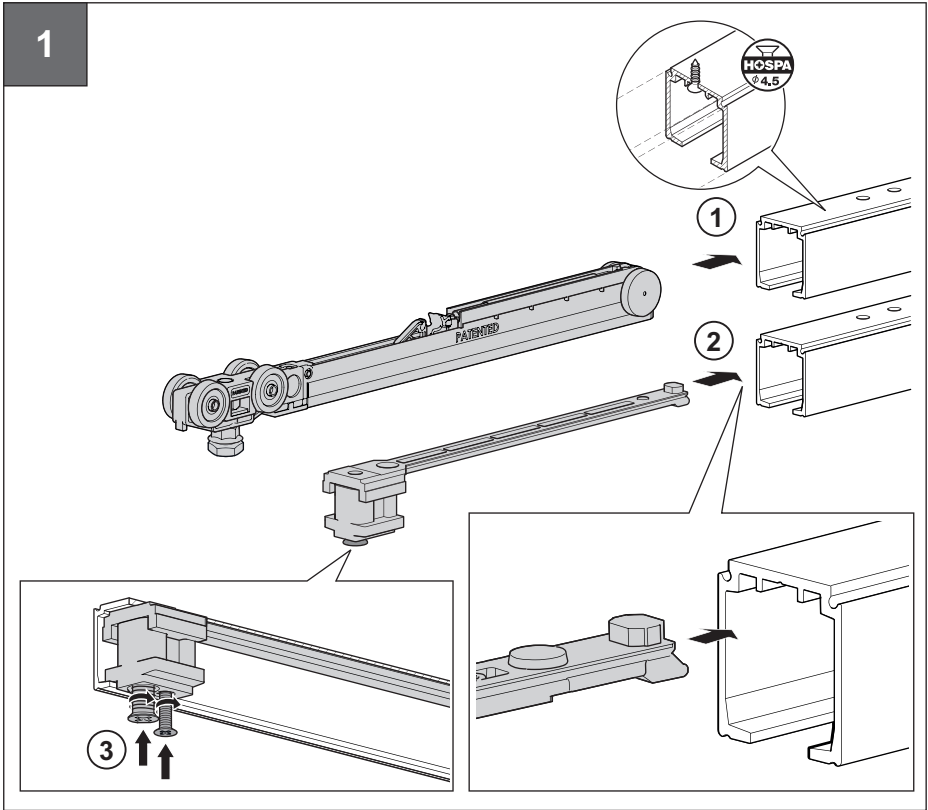
HDE 27.01.2021



732.29.797

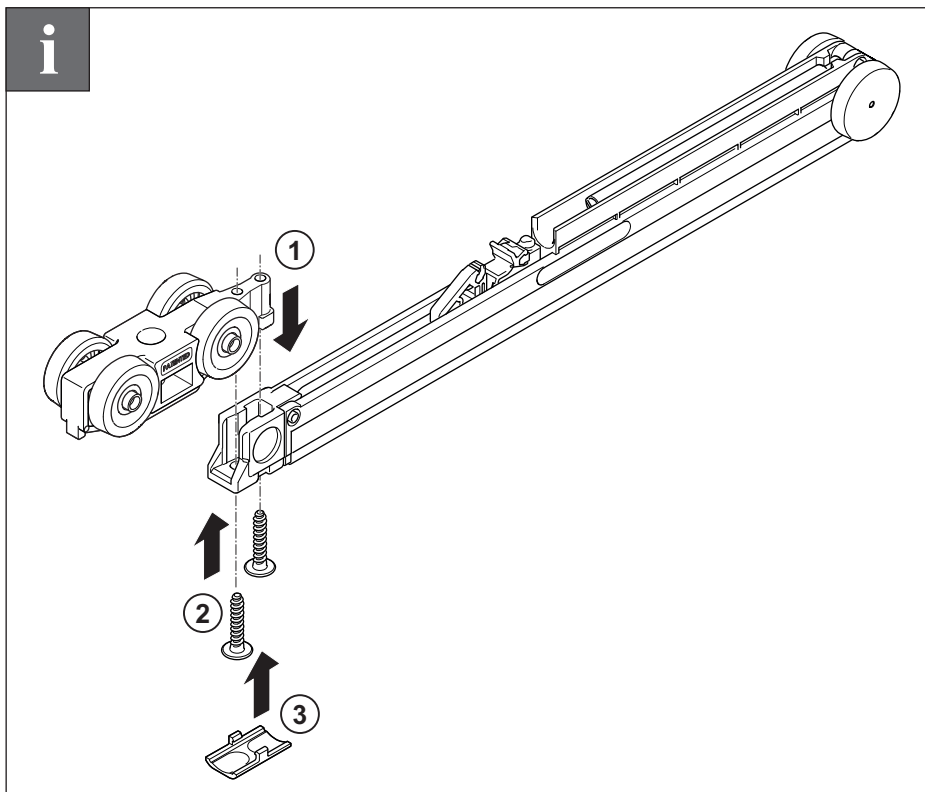
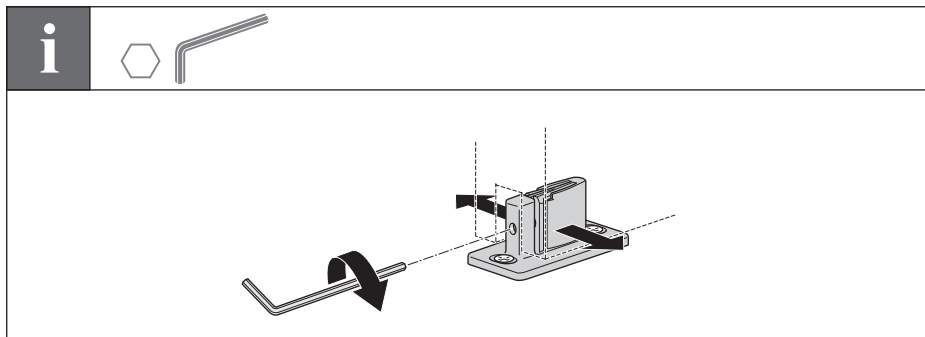
HDE 27.01.2021

1



732.29.797

HDE 27.01.2021



732.29.797

HDE 27.01.2021